

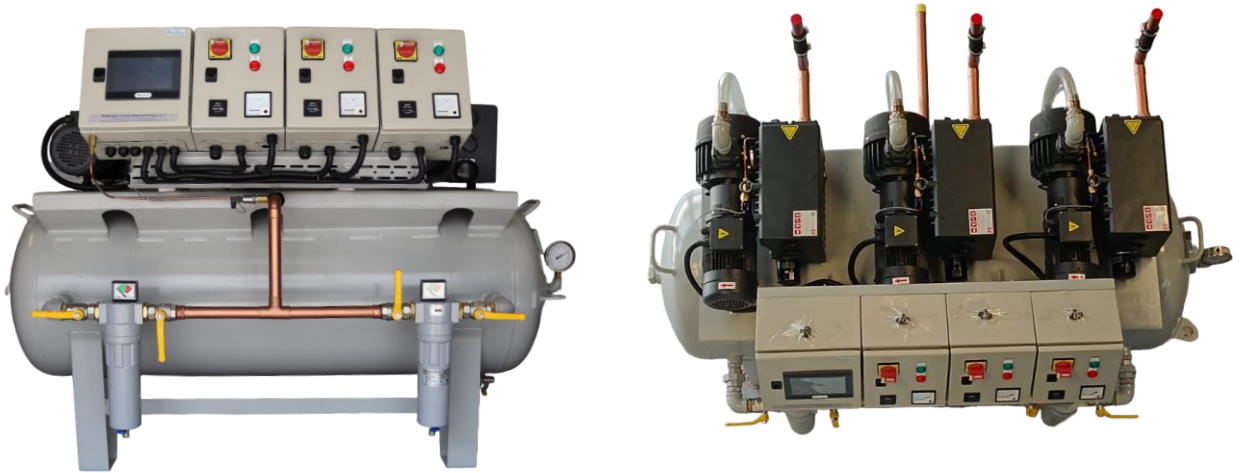


MEDICAL VACUUM SYSTEM



Medi Smart Delivering innovative and reliable **Medical Engineering**, tailored for the GCC healthcare sector.





MEDICAL VACUUM PLANT

Vacuum Pump Module.

The vacuum pump module comprises of the specified number of vacuum pumps and associated control panels. Each vacuum pump unit is chosen for its reliability and economical operation.

The vacuum pumps are oil lubricated, rotary sliding vane, air cooled, air end directly driven, 3ph, 50/60Hz electric motor . Options include alternative plant formats designed to suite customer requirements,

Pressure Vessel.

These are either horizontal or vertical mounted dependant upon the plant format required and are constructed. The vessel comprises of a pressure gauge, and manual drain.

Plant Control Panel.

The plant control panel controls the operation of the whole system end ensures that it matches demand with pump selection. It ensures that each pump is run equal to maximise pump life.

The panel incorporates a central control which can operate up to four pumps, a pressure transducer controls the cut in and cut out settings of the compressors.

The unit displays :-

Mains Supply On

Pump tripped

Pump Operating Pressure (digital display) Plant Service.

The panel incorporates the plant to alarm interface which displays and provides volt free contacts to a centralised alarm system as well as BMS contacts the following :-

Plant Fault

Plant Emergency

Pressure Fault

Duplex Bacterial Filter Module.

Bacterial filters are supplied with manual valves to isolate the filter during maintenance and still maintain the supply. Each filter as a replaceable filter element, differential pressure gauge and drain trap.

PLANT CONTROL SYSTEM COMPRISES

Vacuum Pump Starter Panels.

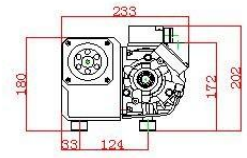
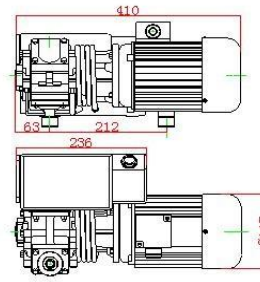
Each vacuum pump is supplied with its own starter panel which incorporates contactors, overloads, ammeter and a hours run meter.

Digital display touchscreen with user interface

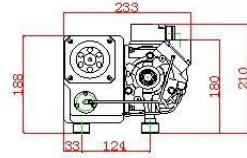
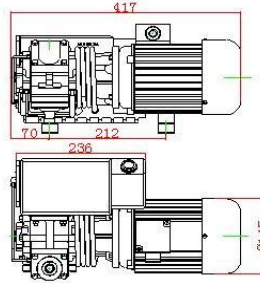
All settings are factory set



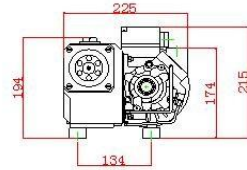
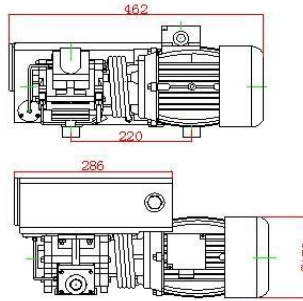
DUPLEX MEDICAL VACUUM PLANT



XD-010
XD-020
XD-025



XD-020A

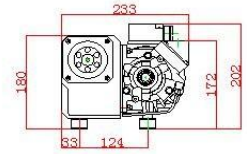
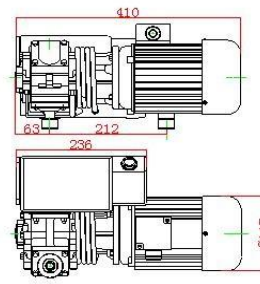


XD-20C

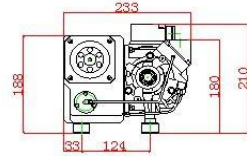
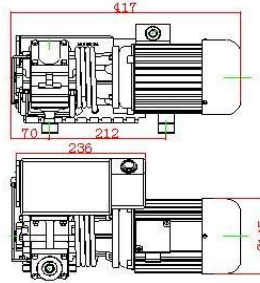
| Model | Net Plant Output | Electrical Details | | | | |
|---------|------------------|--------------------|-------------------------|-----------------------|------------|----------------|
| | | kW | Start Current Per Motor | Run Current Total (A) | Start Type | Fuse Per Motor |
| MSDV-01 | 120l/m | 0.55x2 | 9.6A | 2.0A | D.O.L | 6A |
| MSDV-02 | 260l/m | 1.1x2 | 18.0A | 2.8A | D.O.L | 6A |
| MSDV-03 | 450l/m | 1.5x2 | 21.0A | 3.5A | D.O.L | 6A |
| MSDV-04 | 850l/m | 2.2x2 | 30.0A | 5.0A | D.O.L | 10A |
| MSDV-05 | 1150l/m | 3.0x2 | 40.0A | 6.5A | D.O.L | 10A |
| MSDV-06 | 1350l/m | 4.0x2 | 54.0A | 8.5A | D.O.L | 10A |
| MSDV-07 | 1750l/m | 5.5x2 | 72.0A | 11.3A | D.O.L | 16A |
| MSDV-08 | 2650l/m | 9.0x2 | 54.0A | 20.0A | S.S | 32A |
| MSDV-09 | 3100l/m | 11.0x2 | 66.0A | 23.0A | S.S | 40A |
| MSDV-10 | 3900l/m | 15.0x2 | 90.0A | 30.0A | S.S | 40A |



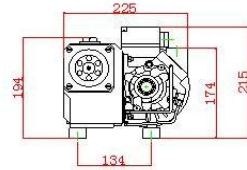
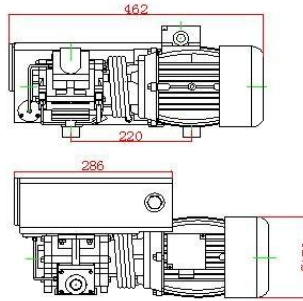
TRIPLEX MEDICAL VACUUM PLANT



XD-010
XD-020
XD-025



XD-020A

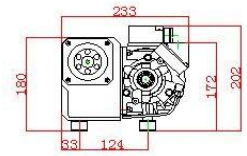
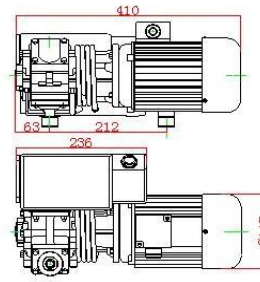


XD-20C

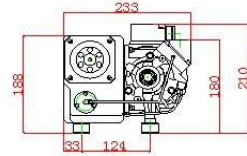
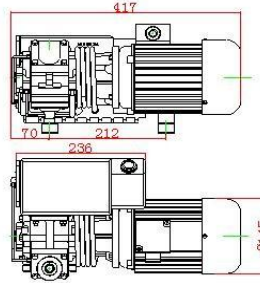
| Quadplex Vacuum Plant Model | Net Plant Output | Electrical Detail | | | | | |
|-----------------------------|------------------|-------------------|-------------------------|-----------------------|-------|----------------|--|
| | | kW | Start Current Per Motor | Run Current Total (A) | Start | Fuse Per Motor | |
| | | | | | Type | | |
| MSQV-01 | 280l/m | 0.55x4 | 9.6A | 2.0A | D.O.L | 6A | |
| MSQV-02 | 485l/m | 1.1x4 | 18.0A | 2.8A | D.O.L | 6A | |
| MSQV-03 | 850l/m | 1.5x4 | 21.0A | 3.5A | D.O.L | 6A | |
| MSQV-04 | 1200l/m | 2.2x4 | 30.0A | 5.0A | D.O.L | 10A | |
| MSQV-05 | 2000l/m | 3.0x4 | 40.0A | 6.5A | D.O.L | 10A | |
| MSQV-06 | 2440l/m | 4.0x4 | 54.0A | 8.5A | D.O.L | 10A | |
| MSQV-07 | 3040l/m | 5.5x4 | 72.0A | 11.3A | D.O.L | 16A | |
| MSQV-08 | 3660l/m | 9.0x4 | 54.0A | 20.0A | S.S | 32A | |
| MSQV-09 | 5310l/m | 11.0x4 | 66.0A | 23.0A | S.S | 40A | |
| MSQV-10 | 7620l/m | 15.0x4 | 90.0A | 30.0A | S.S | 40A | |



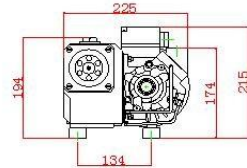
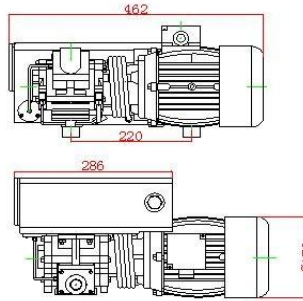
QUADPLEX MEDICAL VACUUM PLANT



XD-010
XD-020
XD-025



XD-020A



XD-20C

| Quadplex Vacuum Plant Model | Net Plant Output | Electrical Detail | | | | |
|-----------------------------|------------------|-------------------|-------------------------|-----------------------|------------|----------------|
| | | kW | Start Current Per Motor | Run Current Total (A) | Start Type | Fuse Per Motor |
| MSQV-01 | 280l/m | 0.55x4 | 9.6A | 2.0A | D.O.L | 6A |
| MSQV-02 | 485l/m | 1.1x4 | 18.0A | 2.8A | D.O.L | 6A |
| MSQV-03 | 850l/m | 1.5x4 | 21.0A | 3.5A | D.O.L | 6A |
| MSQV-04 | 1200l/m | 2.2x4 | 30.0A | 5.0A | D.O.L | 10A |
| MSQV-05 | 2000l/m | 3.0x4 | 40.0A | 6.5A | D.O.L | 10A |
| MSQV-06 | 2440l/m | 4.0x4 | 54.0A | 8.5A | D.O.L | 10A |
| MSQV-07 | 3040l/m | 5.5x4 | 72.0A | 11.3A | D.O.L | 16A |
| MSQV-08 | 3660l/m | 9.0x4 | 54.0A | 20.0A | S.S | 32A |
| MSQV-09 | 5310l/m | 11.0x4 | 66.0A | 23.0A | S.S | 40A |
| MSQV-10 | 7620l/m | 15.0x4 | 90.0A | 30.0A | S.S | 40A |



Medismart – Advancing healthcare with trusted, high-quality **Medical Engineering** across the GCC.



- Phone: +971 42 500 178
- Mobile: +971 55 585 2360
- Email: info@medismartglobal.com
- www.medismartglobal.com
- P.O. Box: 231673, Dubai